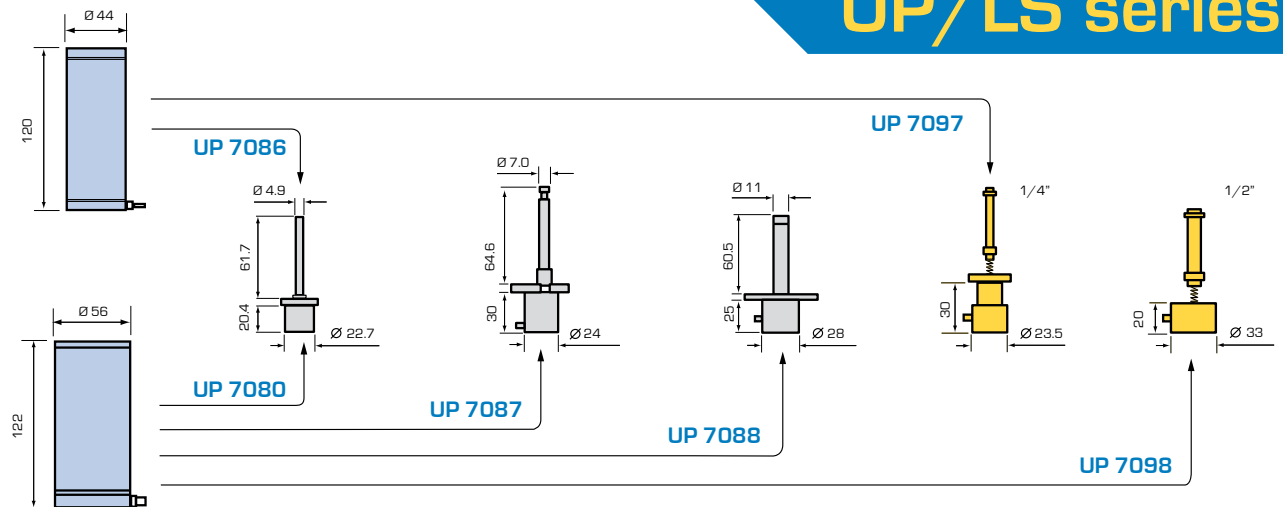


## FAMILY TABLE Linear Stirling Coolers

### UP/LS series



Type THALES France	unit	Slip on versions				IDCA * versions	
		LS 5-5	LS 2-5	LS 5-7	LS 10-11	LS 5-7i	LS 10-11i
Type THALES Netherlands		UP 7080	UP 7086	UP 7087	UP 7088	UP 7097 **	UP 7098 ***
Ø Coldfinger/ approx dewar bore	mm	5	5	7	10	1/4 "	1/2 "
Dimensions compressor (Ø x L)	mm	55x122	44x120	55x122	55x122	44x120	55x122
Cooling power @ 80K / 23 °C	mW	700	400	800	1450	600	1300
Input power	W	40	25	40	50	25	50
Typical cool down time to 80K	min.	5 @ 250 J	5 @ 250 J	6 @ 550 J	6.5 @ 850 J	5 @ 250 J	13 @ 1440 J
Mass	kg	1.55	1.3	1.7	1.9	1.3	1.7
MTTF	hour	>4000	>4000	>4000	>8000	>4000	>8000
Operating temperature	°C	-52 to +71	-52 to +71	-52 to +71	-52 to +71	-52 to +71	-52 to +71
Suitable converter model		UA 7072	UA 7072	UA 7072	UA 7072	UA 7072	UA 7072

### THALES CRYOGENICS

www.thales-cryogenics.com  
e-mail: info.cryo@nl.thalesgroup.com

Hooge zijde 14 - PO box 6034  
NL 5600 HA EINDHOVEN  
THE NETHERLANDS

4 Rue Marcel Doret - BP70022  
31701 BLAGNAC - CEDEX  
FRANCE

\* Integrated Dewar Cooler Assembly  
\*\* UP7097 interface identical to THALES RM2  
\*\*\* UP7098 interface identical to SADA II